



A

Window Casement & Door Handles



Reg. No. 1954/001489/07 | VAT No. 4560102776 | Directors: H Rolfes, JB Schoonraad, R Röhrs, GL Smith, MG Wolhuter
4 Willowton Road, Pietermaritzburg, 3201 | PO Box 4009, Pietermaritzburg, 3200 South Africa | Tel: +27 (0)33 397 5500 | www.pdc.co.za



Introduction

PDC is a leading manufacturer and supplier of aluminium window casement and door handles. Over a period of more than 30 years, we have built a reputation for consistent premium quality and competitive pricing. The PDC handle has been tested on a cycle testing rig to withstand 20k use cycles – roughly equivalent to 20 years of in-service use.

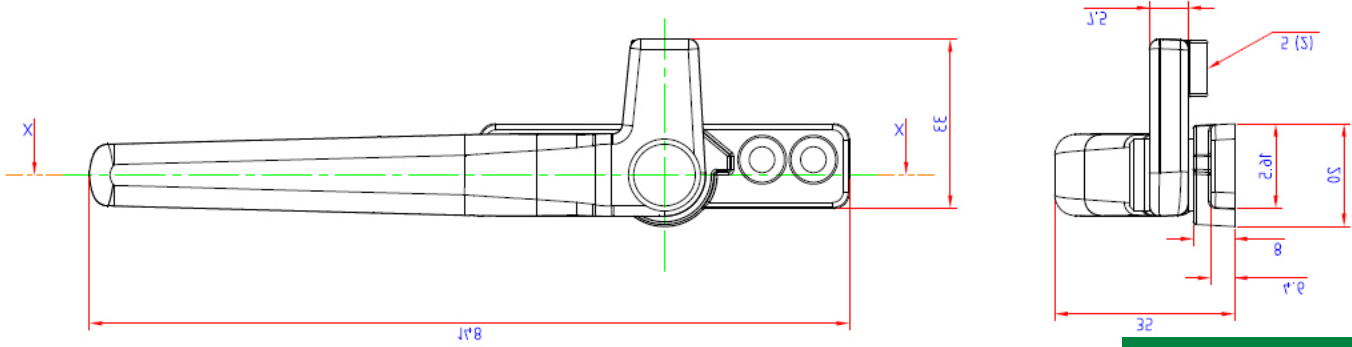
Intended use for casement handles

The PDC casement handles (Euroline, Eurocase, Alcove and Alcove models) have been designed for fitment in domestic and light commercial aluminium window frames. The installation is to be of a high standard and completed by a professional and experienced installer and should include the appropriate rivets / screws and cover plates. The powder coating has been tested for salt spray and corrosion and is certified to withstand 10 years of typical use in those conditions.

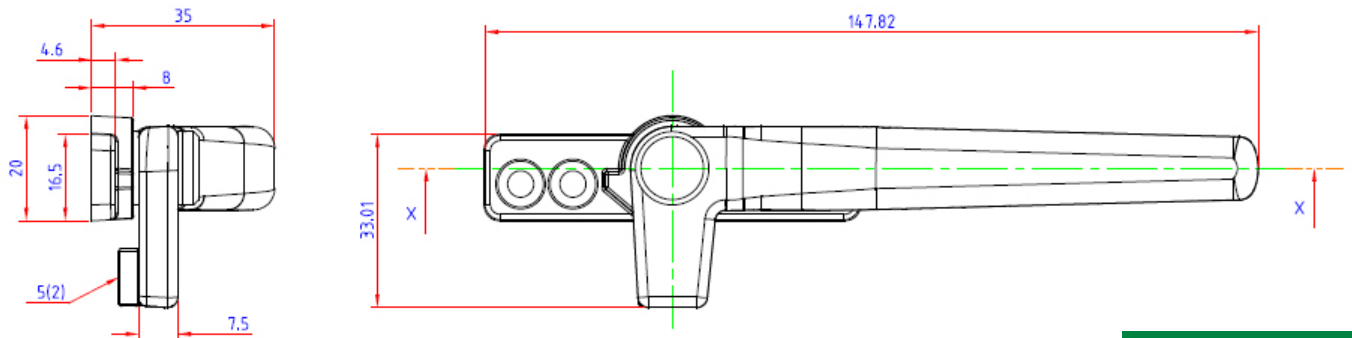
The PDC Regal Pull door handle has been designed for use in a residential or light commercial sliding or sliding folding door installation. The installation is to be of a high standard and completed by a professional and experienced installer and should include the supplied / appropriate fitment screws. The powder coating has been tested for salt spray and corrosion and is certified to withstand 10 years of typical use in those conditions.

Intended use for door handles

Alcase Handle

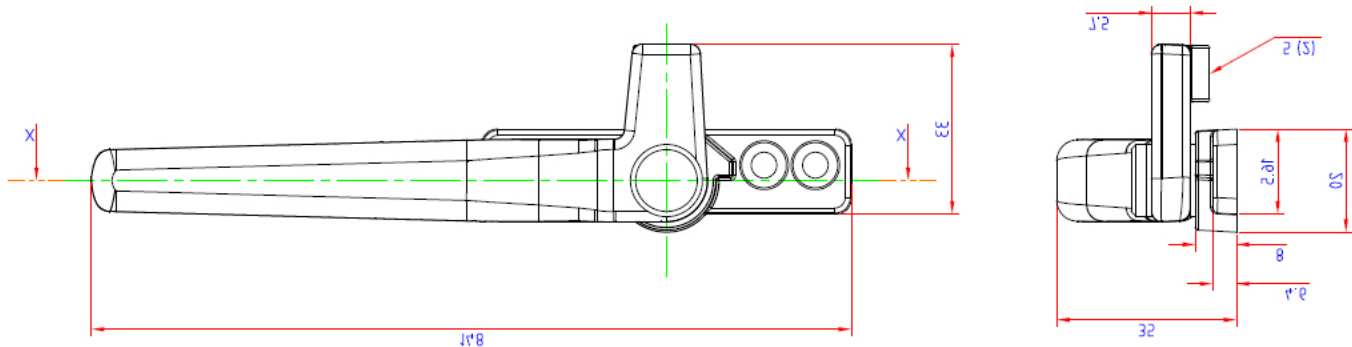


LH: 3601R

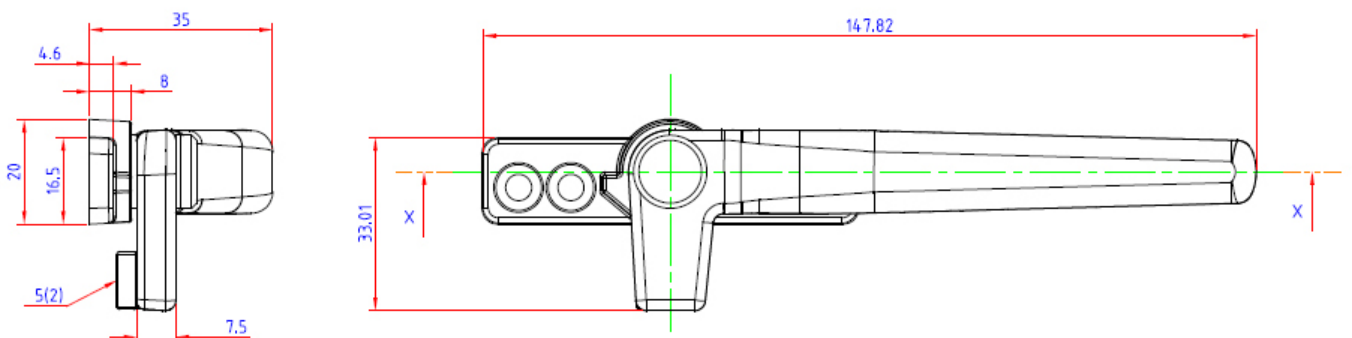


RH: 3602R

Alcove Handle

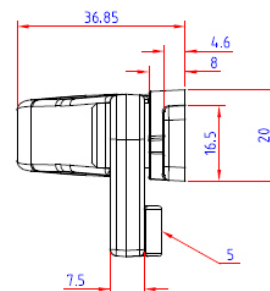
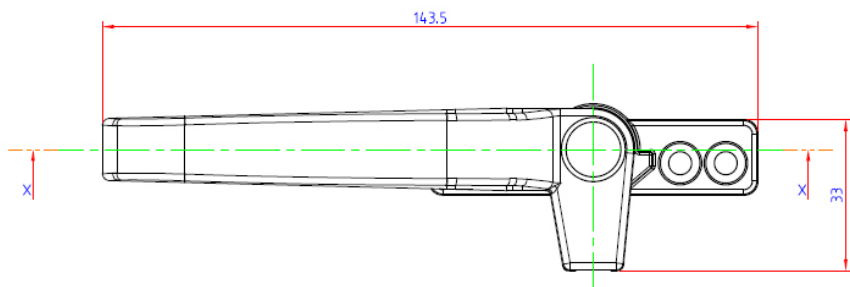


LH: 3611

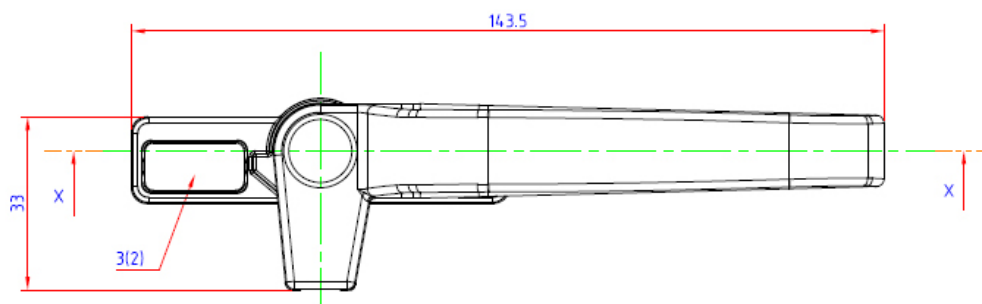
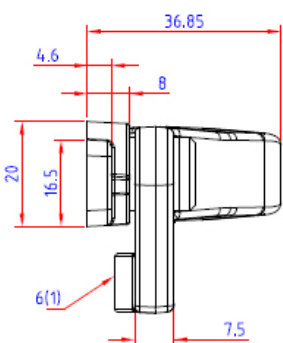


RH: 3612

Euoline Handle

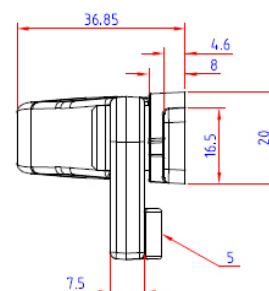
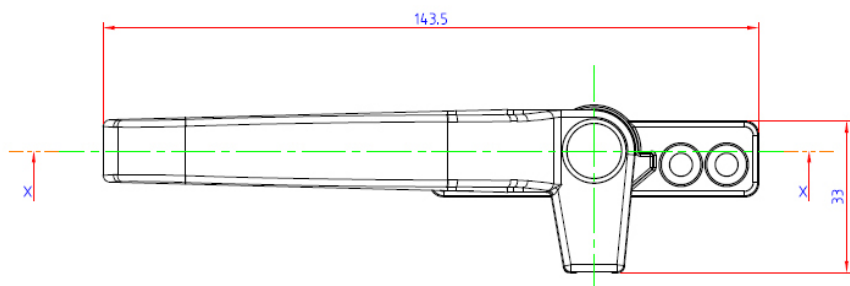


LH: 3605

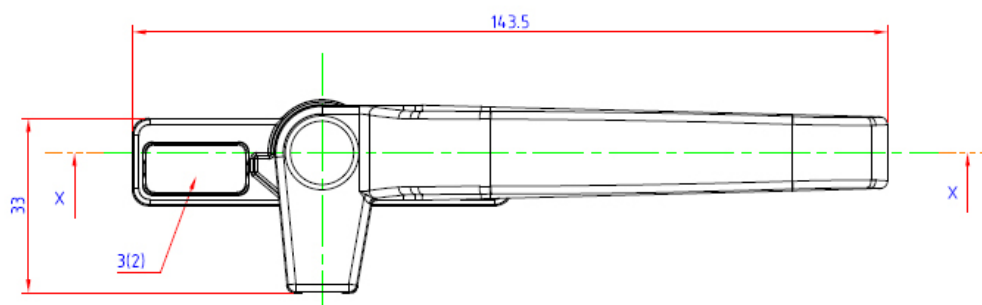
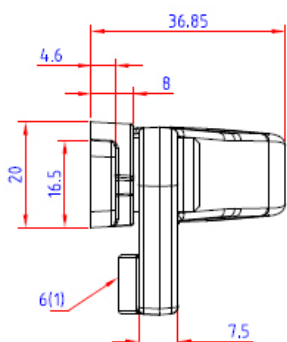


RH: 3606

Eurocase Handle



LH: 3607



RH: 3608

Alcase Handle



LH:3601R
RH:3602R

Alcove Handle + Caps



LH: 3611
RH: 3612

Euroline Handle



LH: 3605
RH: 3606

Eurocase Handle



LH: 3607
RH: 3608

Available Colour Coatings on all Casement Handles

Code:

 BP

 BR

 CP

 WP

 NP

Description:

Black Powder Coating

Bronze Powder Coating

Charcoal Powder Coating

White Powder Coating

Natural Powder Coating

Limited Warranty Statement

PDC products are manufactured to exacting standards, using high quality certified raw materials and utilizing some of the most advanced manufacturing technologies available. Our facilities and processes are certified to the highest international quality levels which are regularly subjected to external audit.

During the design process we incorporate cycle testing up to 20000 cycles (typically equivalent to 20 years use).

Subject to the assumption that our products are installed by professional and experienced installation partners, in the appropriate manner and as per the intended use * – we certify the products free of defect and capable of a minimum of 10 years plus of trouble-free use.

Should a product be installed and used in accordance with the above criteria, but fail within the 10-year period, PDC will replace the failed part / product. This warranty is limited to the failed product only and does not include installation costs or associated other impacts. The warranty will be adjudicated at PDC's sole discretion.

Please refer to the specification sheet for intended use and other specifications by product.



Sales & Marketing Manager.



Reg. No. 1954/001489/07 | **VAT No.** 4560102776 | **Directors:** H Rolfes, JB Schoonraad, R Röhrs, GL Smith, MG Wolhuter

4 Willowton Road, Pietermaritzburg, 3201 | PO Box 4009, Pietermaritzburg, 3200 South Africa | **Tel:** +27 (0)33 397 5500 | **www.pdc.co.za**

