



Sliding Folding Door Hardware



Reg. No. 1954/001489/07 | VAT No. 4560102776 | Directors: H Rolfes, JB Schoonraad, R Röhrs, GL Smith, MG Wolhuter
4 Willowton Road, Pietermaritzburg, 3201 | PO Box 4009, Pietermaritzburg, 3200 South Africa | Tel: +27 (0)33 397 5500 | www.pdc.co.za



Introduction

PDC is a leading manufacturer of aluminium sliding folding door (SFD) hardware components. Over a period of more than 30 years, we have built a reputation for consistent premium quality and competitive pricing. The PDC hardware has been tested on a cycle testing rig to withstand 20k use cycles – roughly equivalent to 20 years of in-service use.

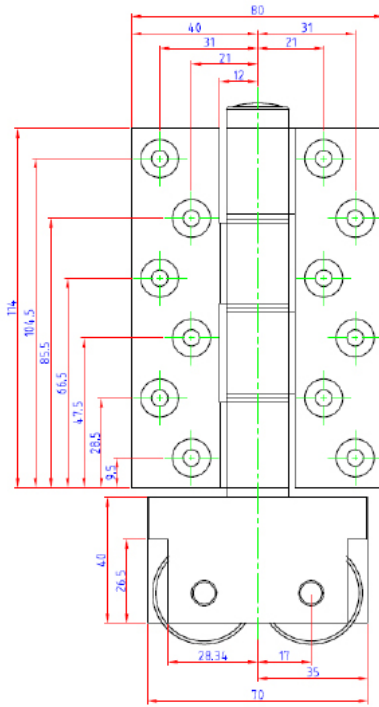
Intended use for Sliding Folding Door hardware components

The PDC SFD hardware components have been designed for fitment as a complete system in domestic and light commercial aluminium sliding folding door installations. The installation is to be of a high standard and completed by a professional and experienced installer and should include all appropriate rivets and screws. For powder coated product, the coating has been tested for salt spray and corrosion and is certified to withstand 10 years of typical use in those conditions.

Technical specifications of the PDC 114mm SFD hardware system

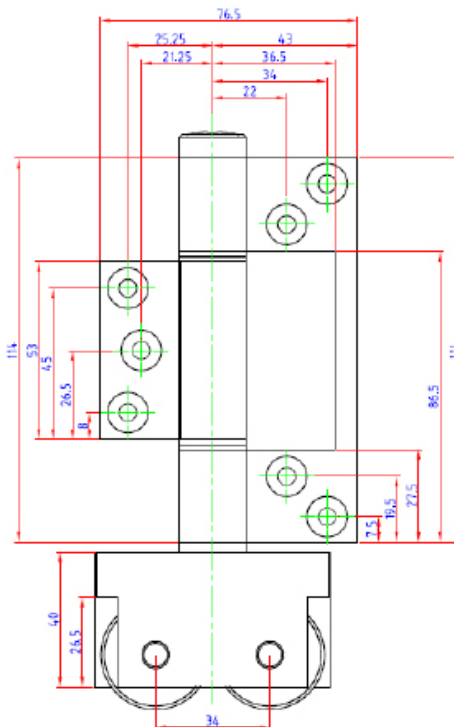
Complete 114mm system components		Specification limits
Top guide	Flush	Maximum carry weight = 70kg (min 2 hinges per door) Maximum frame / door height = 2700mm Maximum frame / door width = 900mm
	Butt	
Intermediate hinge with / without handle	Flush	
	Butt	
Bottom roller	Flush	
	Butt	

Bottom Roller – Butt Hinge



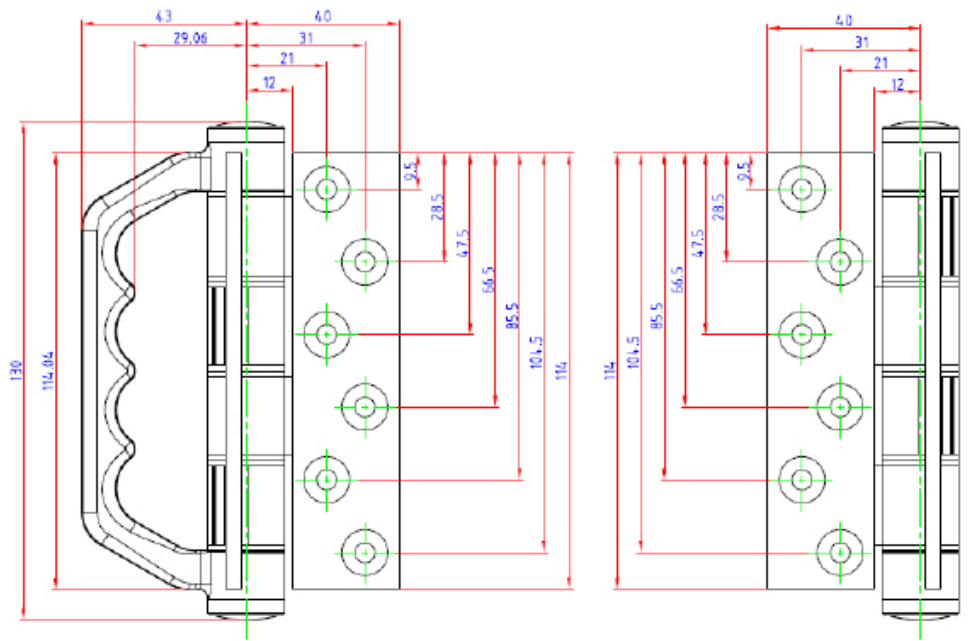
Code: 9322

Bottom Roller – Flush Hinge



Code: 9323

Intermediate Butt Hinge with Handle



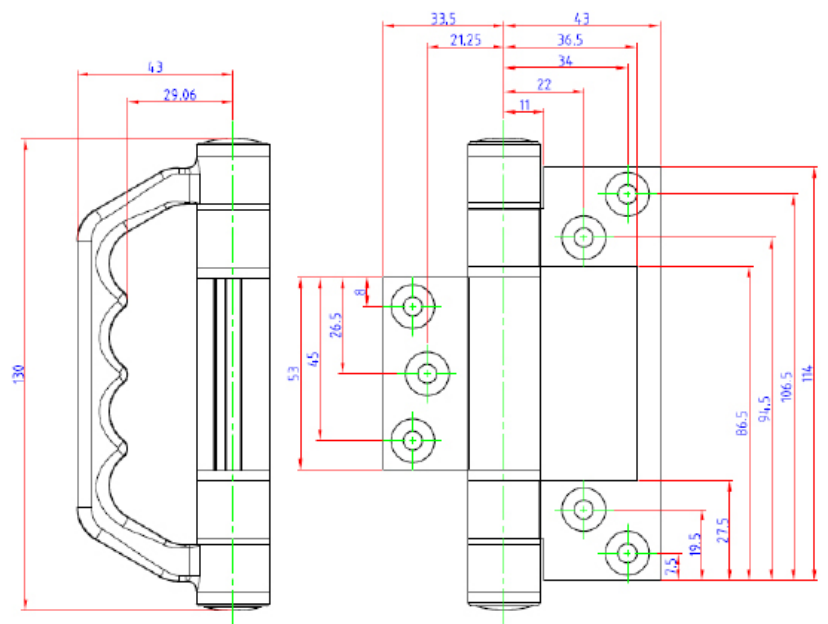
Aluminium Handle

Code: 9332

Nylon Handle

Code: 9332N

Intermediate Flush Hinge with Handle



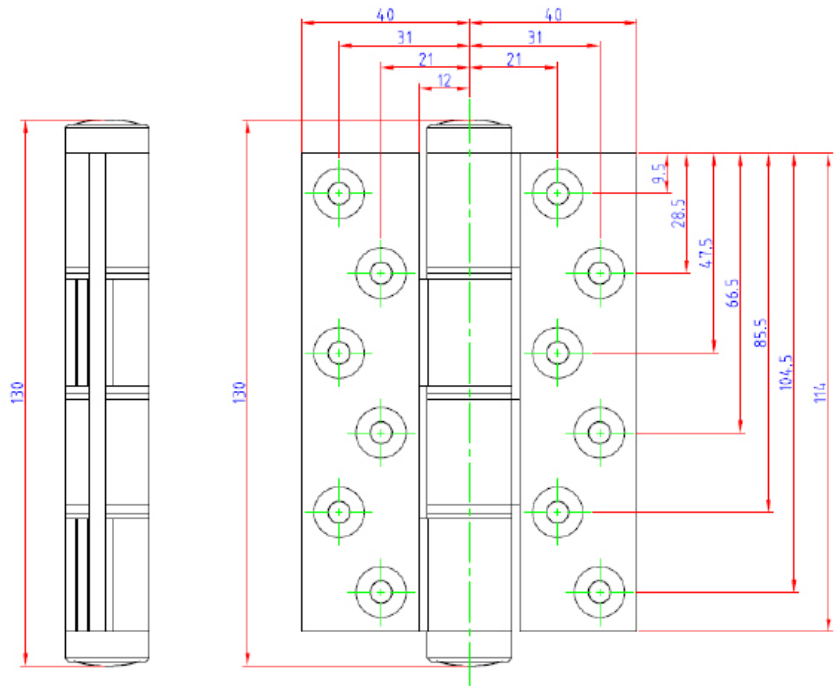
Aluminium Handle

Code: 9333

Nylon Handle

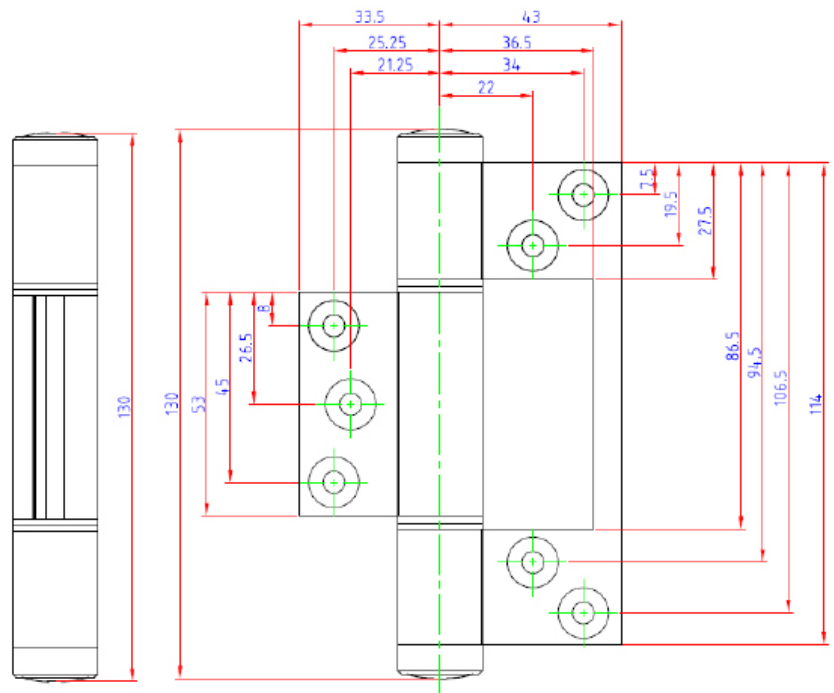
Code: 9333N

Intermediate Butt Hinge



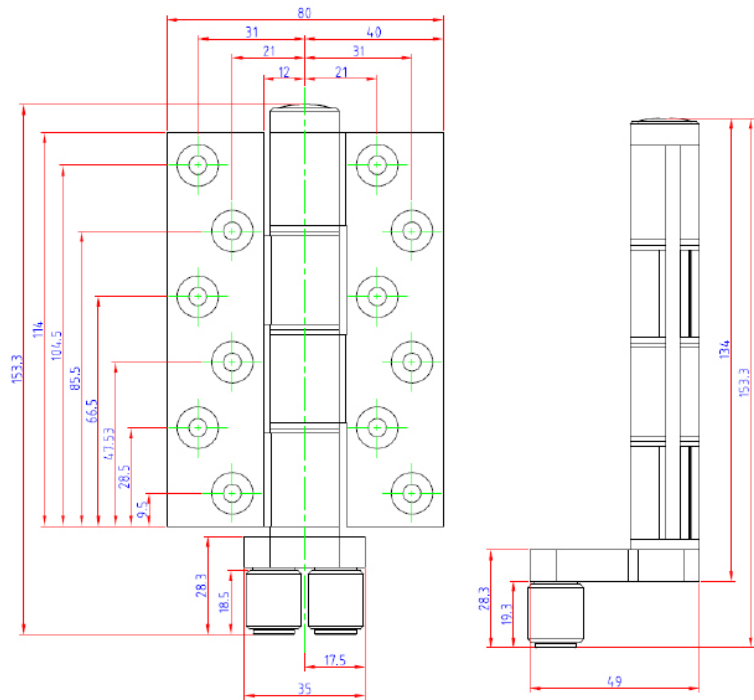
Code: 9334

Intermediate Flush Hinge



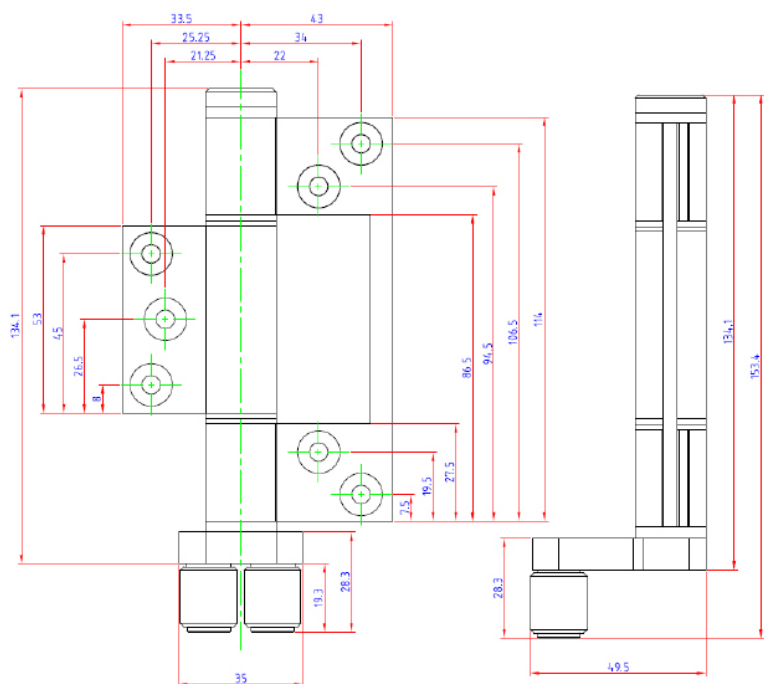
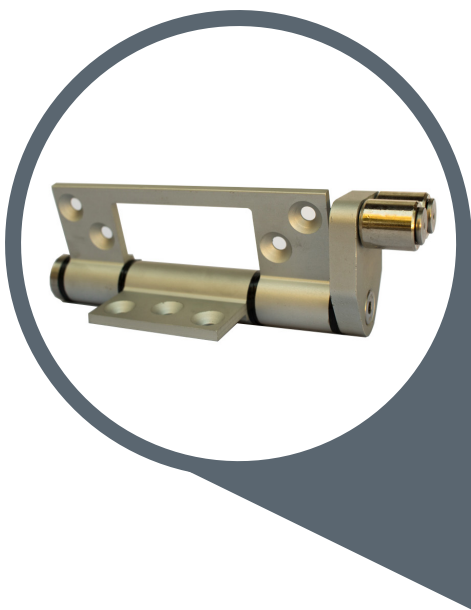
Code: 9335

Top Guide – Butt



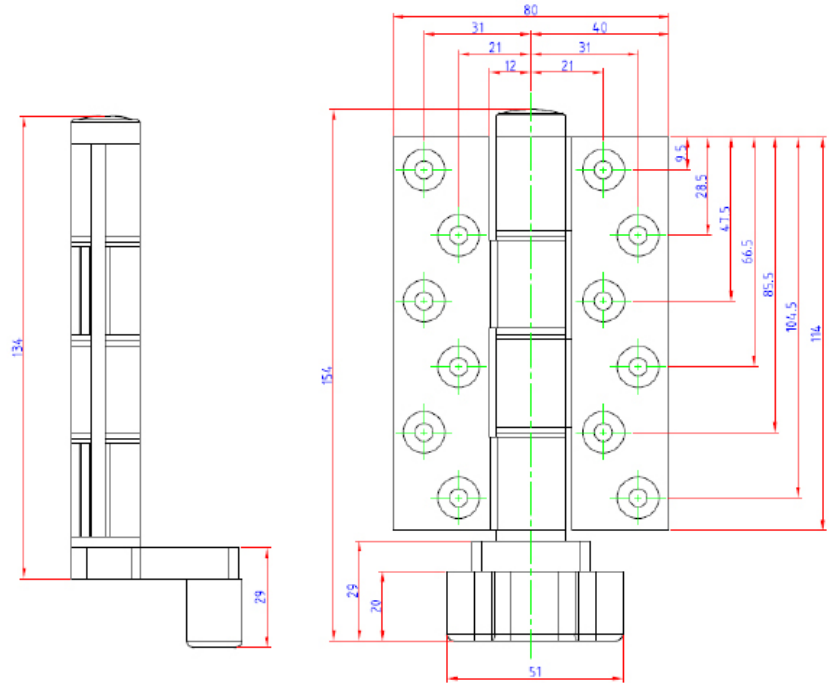
Code: 9336

Top Guide – Flush



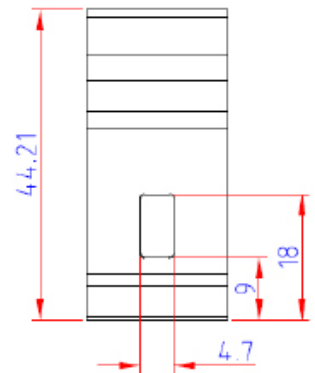
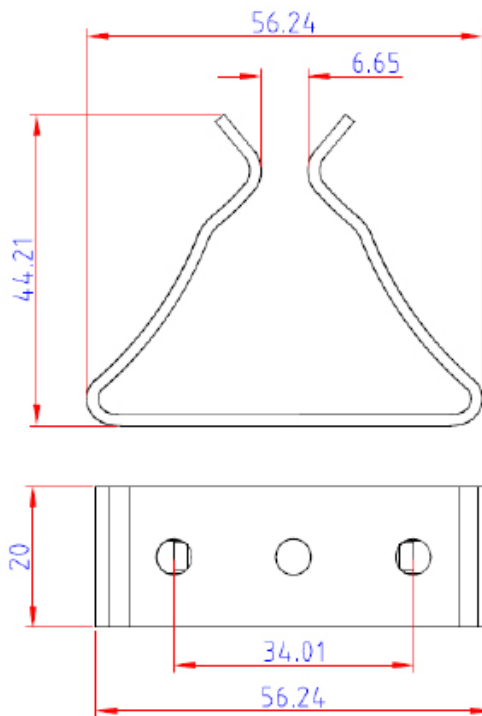
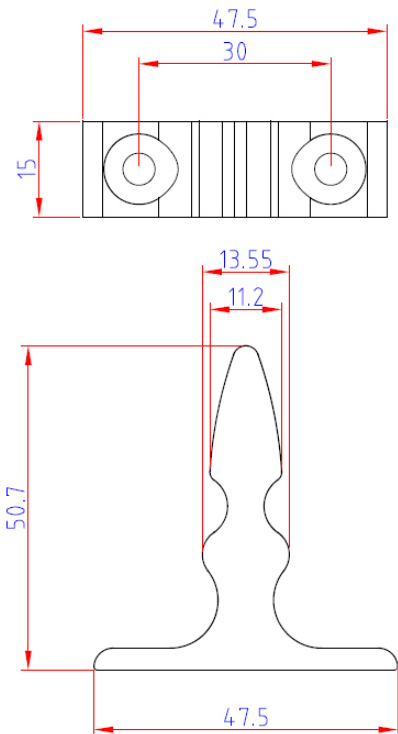
Code: 9337

Top Guide – Ultraglide



Code: 9336U

Spring Clip – Anodised



Limited Warranty Statement

PDC products are manufactured to exacting standards, using high quality certified raw materials and utilizing some of the most advanced manufacturing technologies available. Our facilities and processes are certified to the highest international quality levels which are regularly subjected to external audit.

During the design process we incorporate cycle testing up to 20000 cycles (typically equivalent to 20 years use).

Subject to the assumption that our products are installed by professional and experienced installation partners, in the appropriate manner and as per the intended use * – we certify the products free of defect and capable of a minimum of 10 years plus of trouble-free use.

Should a product be installed and used in accordance with the above criteria, but fail within the 10-year period, PDC will replace the failed part / product. This warranty is limited to the failed product only and does not include installation costs or associated other impacts. The warranty will be adjudicated at PDC's sole discretion.

Please refer to the specification sheet for intended use and other specifications by product.



Sales & Marketing Manager.



Reg. No. 1954/001489/07 | **VAT No.** 4560102776 | **Directors:** H Rolfes, JB Schoonraad, R Röhrs, GL Smith, MG Wolhuter

4 Willowton Road, Pietermaritzburg, 3201 | PO Box 4009, Pietermaritzburg, 3200 South Africa | **Tel:** +27 (0)33 397 5500 | **www.pdc.co.za**

